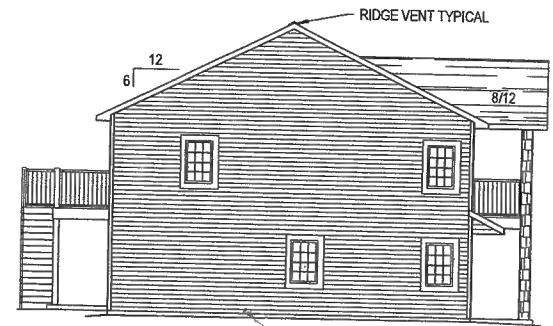
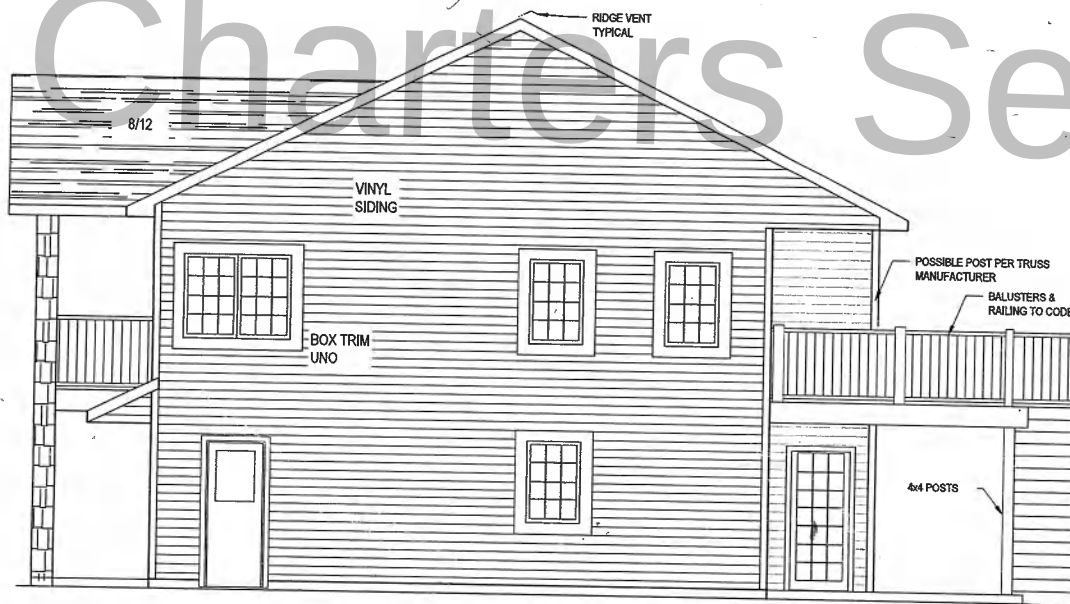




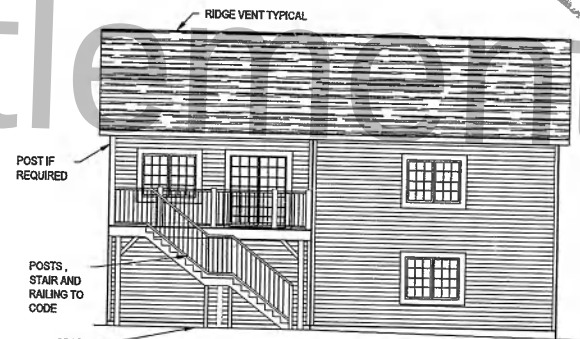
FRONT ELEVATION
SCALE: 1/4" = 1'-0"



LEFT ELEVATION
SCALE: 1/8" = 1'-0"

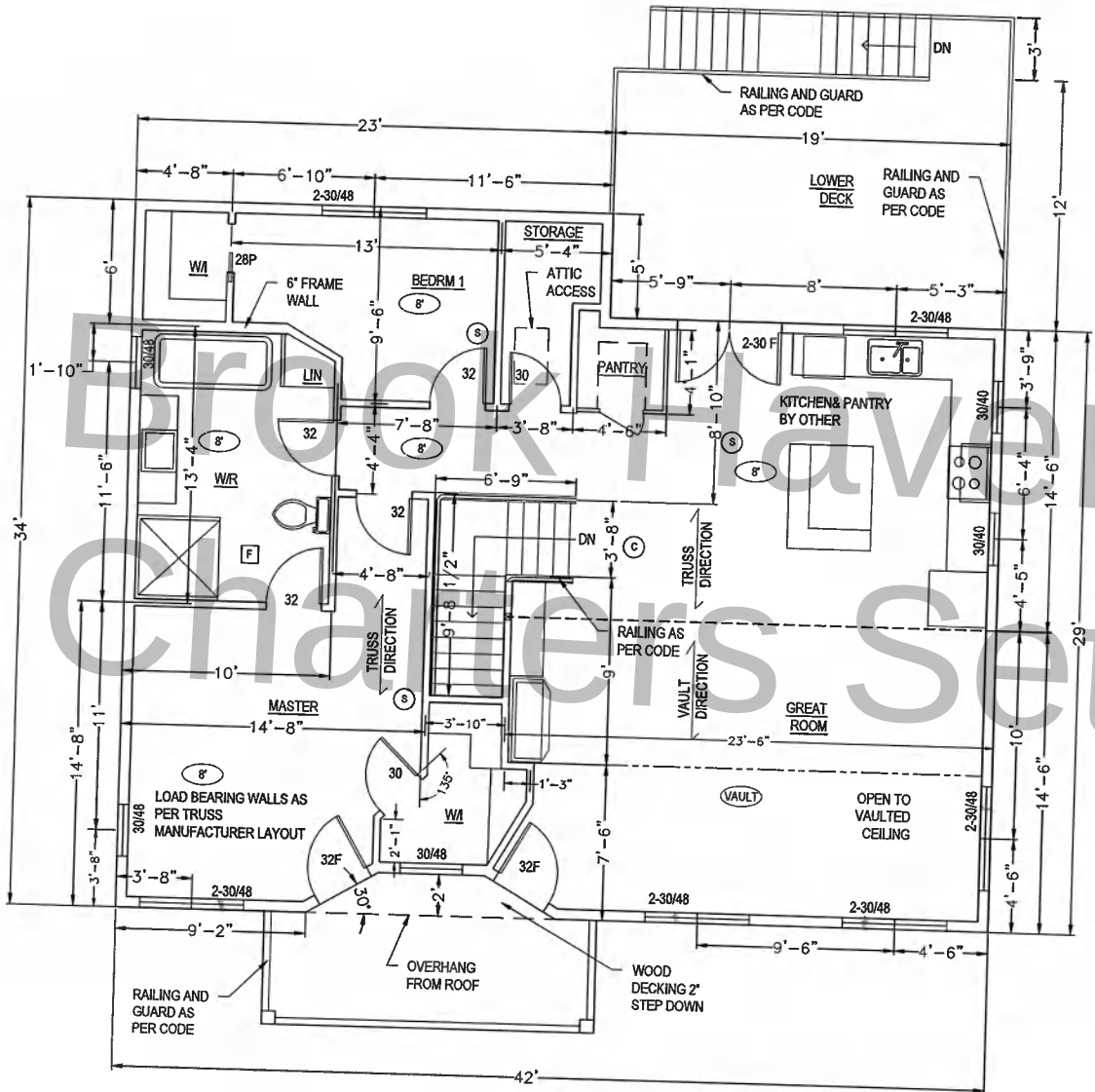


RIGHT ELEVATION
SCALE: 1/4" = 1'-0"

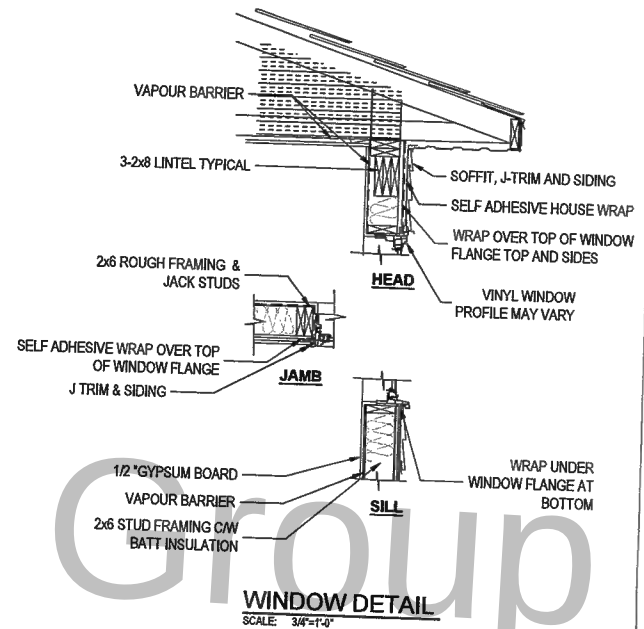


REAR ELEVATION
SCALE: 1/8" = 1'-0"

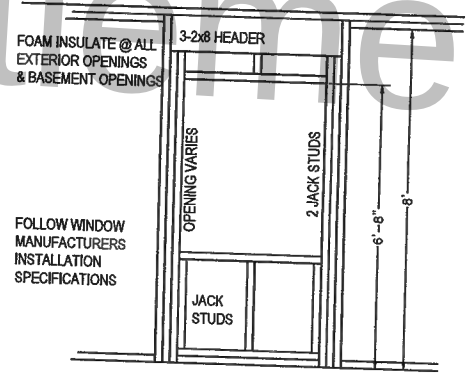
THIS DESIGN
PROJECT:
TITLE ELEVATIONS
DRAWN BY: DBM
DATE:
SCALE: AS SHOWN
A4



SECOND LEVEL FLOOR PLAN
SCALE: 1/4" = 1'-0"



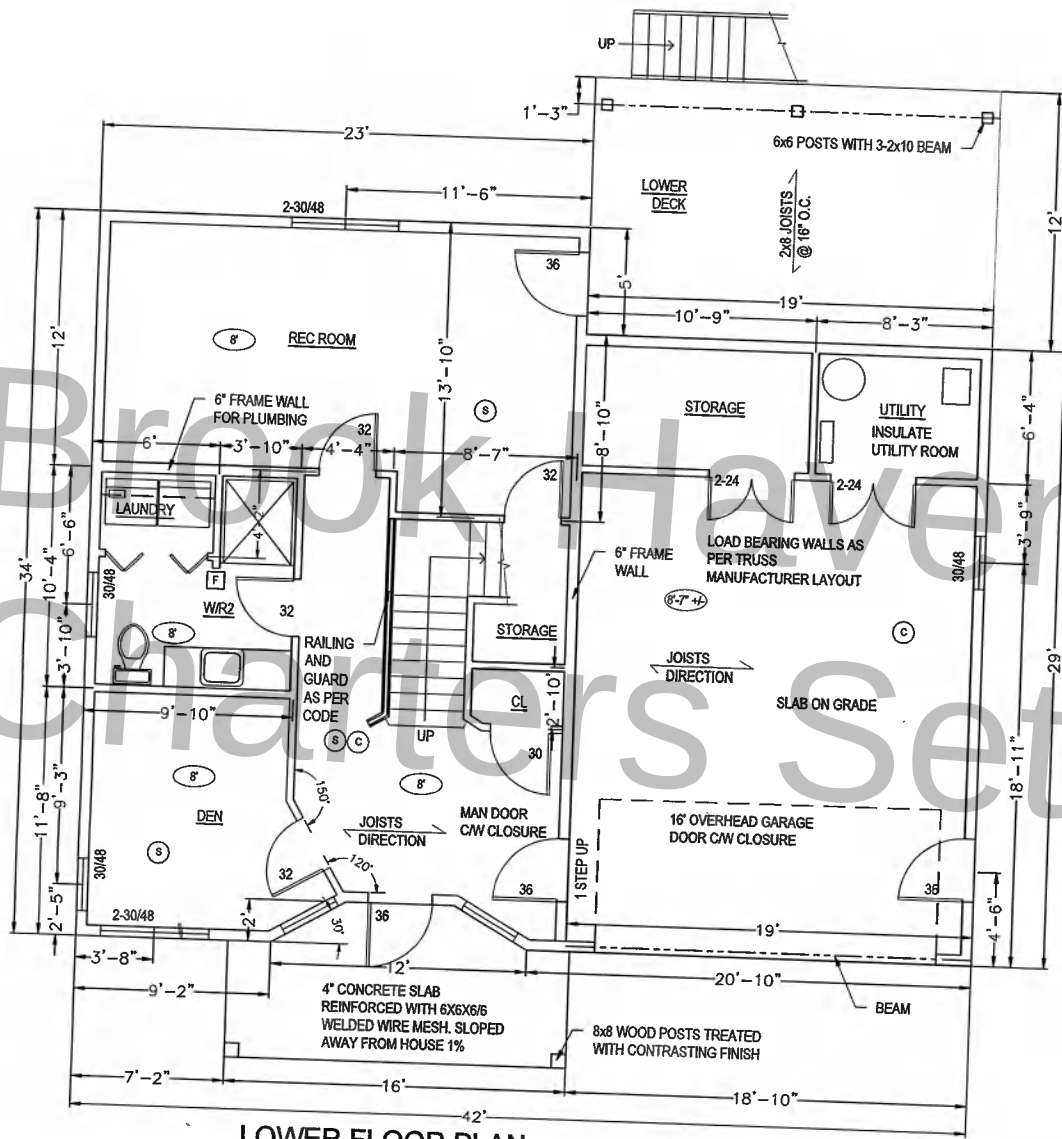
WINDOW DETAIL
SCALE: 3/4" = 1'-0"



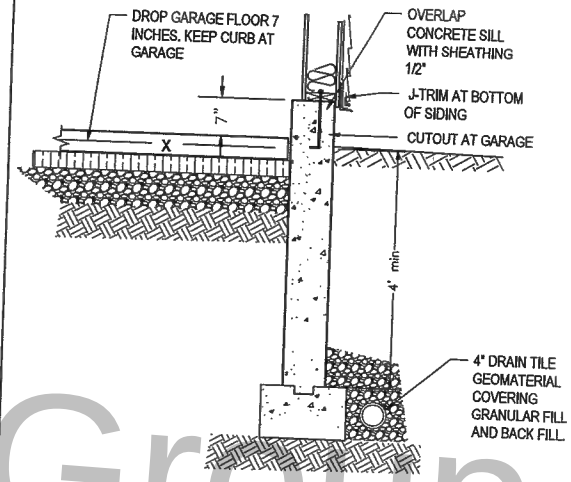
FOLLOW WINDOW MANUFACTURERS INSTALLATION SPECIFICATIONS

OPENING DETAIL
SCALE: N.T.S.

THIS DESIGN	
PROJECT:	
TITLE: UPPER FLOOR PLAN	
DRAWN BY: DBM	
DATE:	
SCALE: AS SHOWN	A3



LOWER FLOOR PLAN
SCALE: 1/4" = 1'-0"



FOUNDATION DETAILS
SCALE: 3/4" = 1'-0"

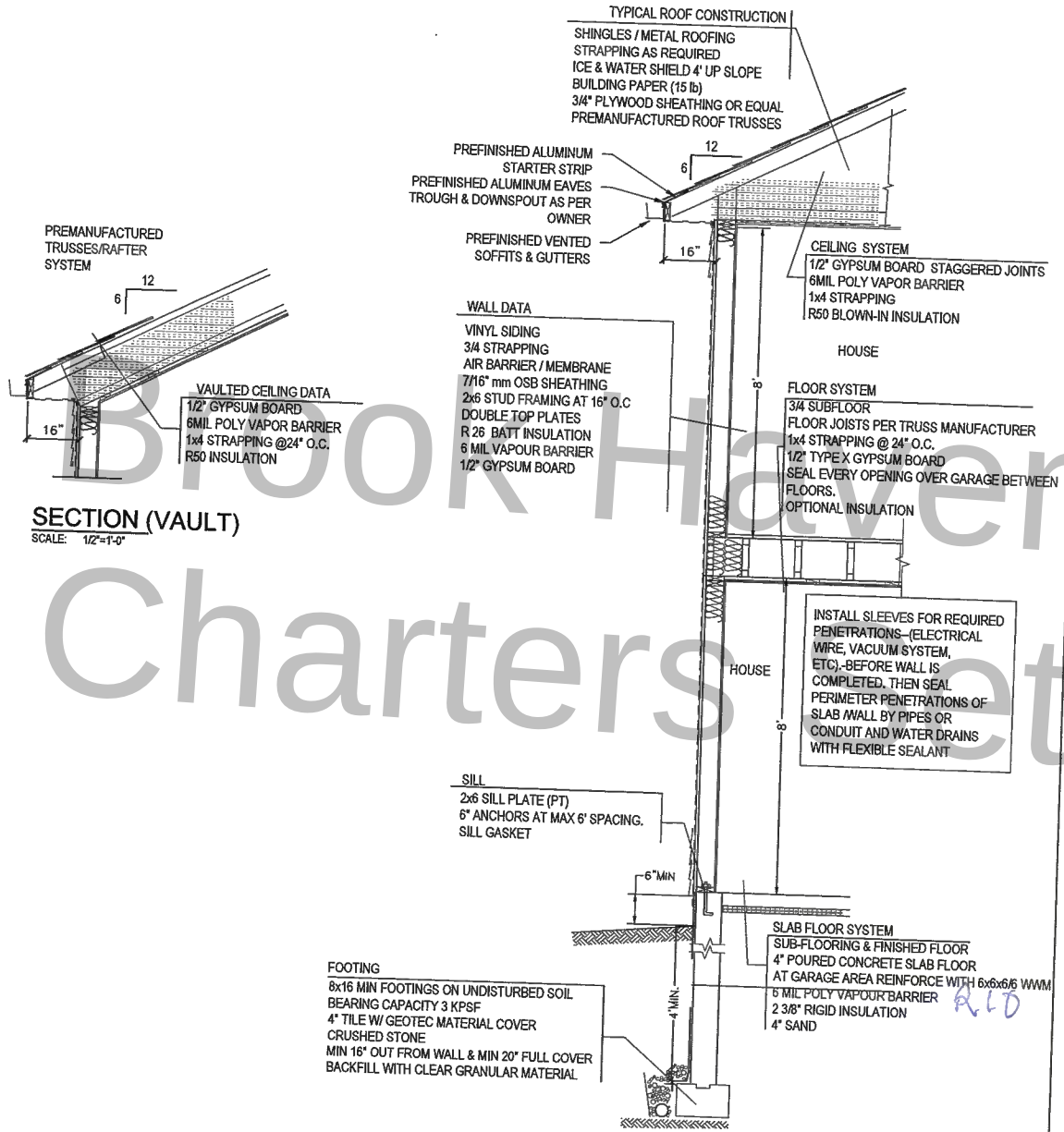
NOTE:

- SEE MANUFACTURER SPECIFICATIONS FOR WINDOW & DOOR RSD.
- ALL R-VALUES WILL MEET THE MINIMUM REQUIREMENTS IN ACCORDANCE WITH THE CURRENT N.B.C.
- ALL WINDOWS AND DOORS WILL HAVE A MINIMUM ENERGY STAR RATING OF 31.
- GARAGE DOOR R-VALUE WILL BE A MINIMUM R-12.
- ANGLED WALLS TO BE 30/60° UNLESS NOTED OTHERWISE.

LEGEND

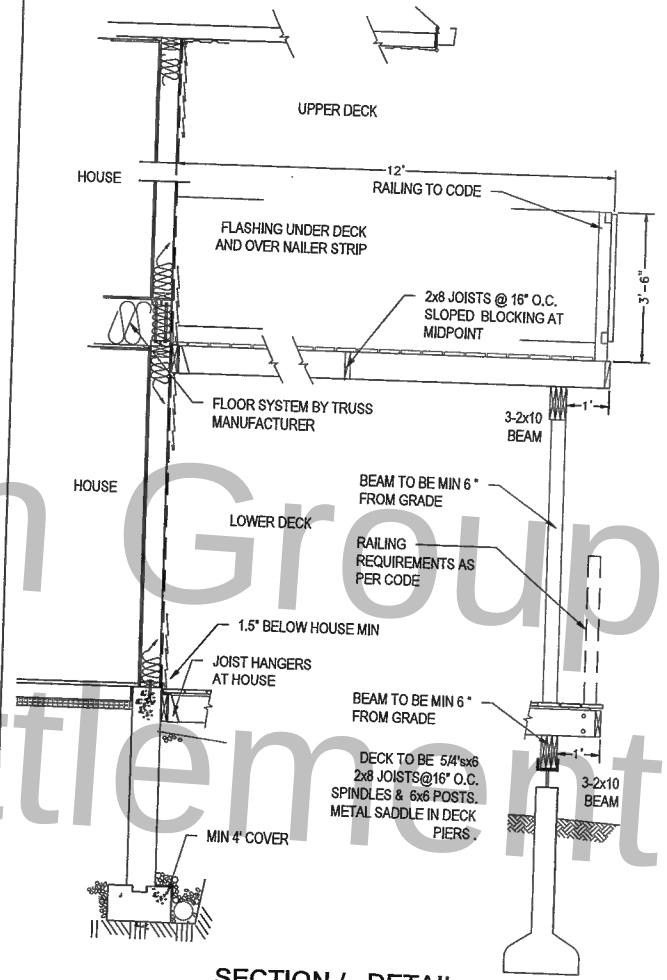
- (S) SMOKE DETECTOR
- (C) CARBON MONOXIDE DETECTOR
- (F) EXHAUST FAN TO EXTERIOR, IN ALL WASHROOMS UNO, ON SEPARATE SWITCH.

	THIS DESIGN
PROJECT:	
TITLE: LOWER FLOOR PLAN & DETAILS	
DRAWN BY: DBM	
DATE:	
SCALE: AS SHOWN	A2



SECTION (VAULT)
SCALE: 1/2"=1'-0"

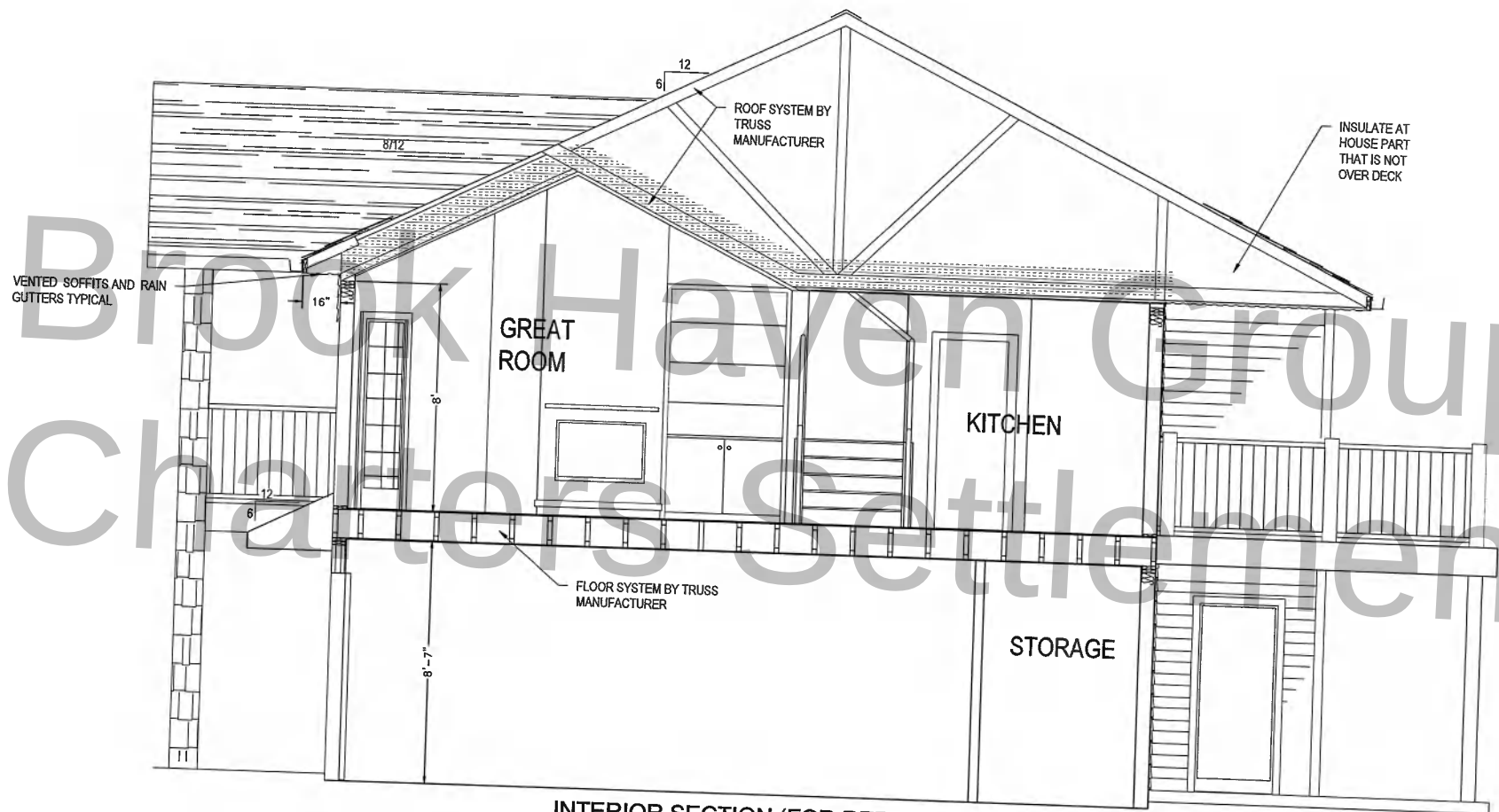
SECTION
SCALE: 1/2"=1'-0"



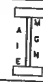
SECTION / DETAIL
SCALE: 1/2"=1'-0"

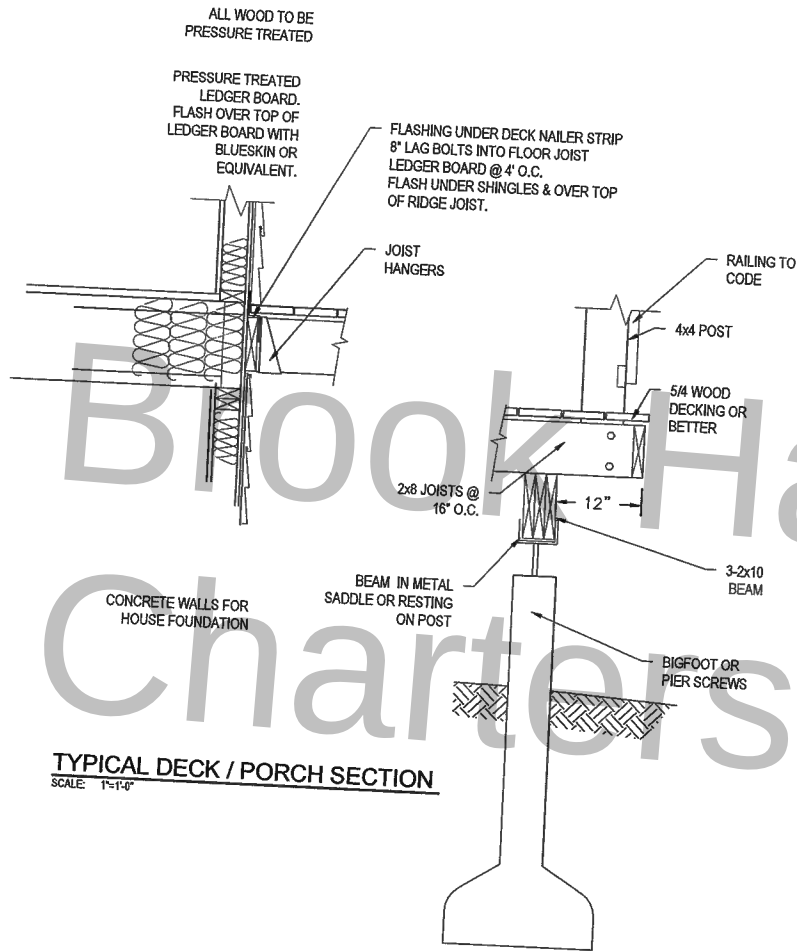
THIS DESIGN
PROJECT:
TITLE
SECTIONS
DRAWN BY: DBM
DATE:
SCALE: AS SHOWN

A5

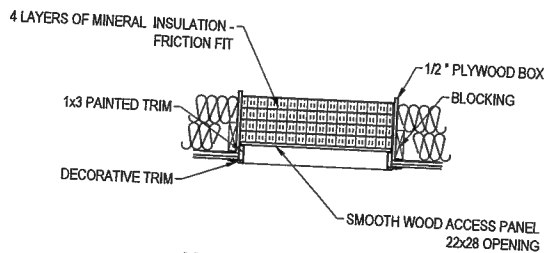


INTERIOR SECTION (FOR REPRESENTATION ONLY)
 SCALE: 3/8"=1'-0"

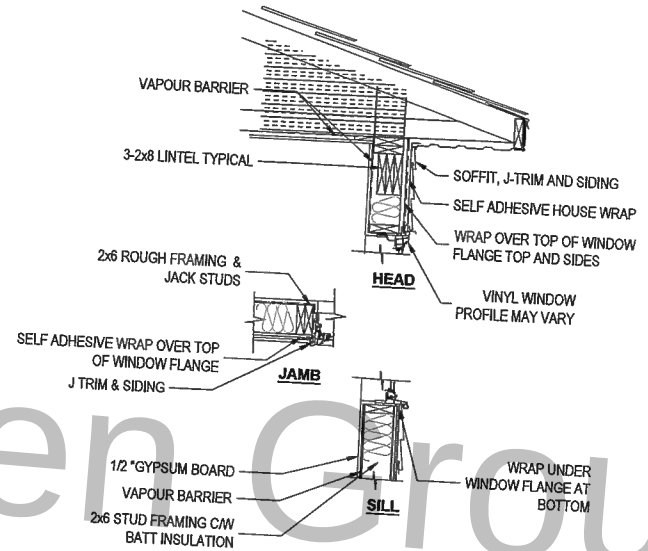
 THIS DESIGN
PROJECT:
TITLE
SECTION
DRAWN BY: DBM
DATE:
SCALE: AS SHOWN



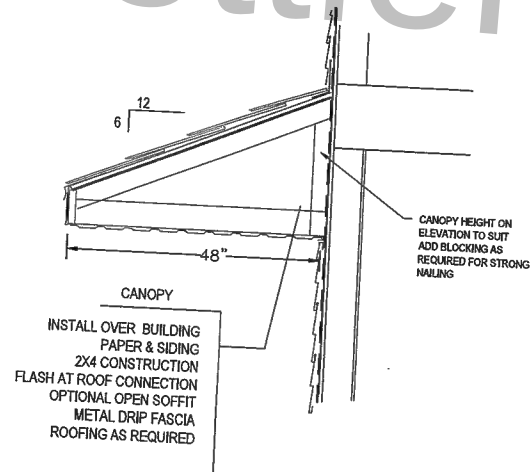
TYPICAL DECK / PORCH SECTION
SCALE: 1"=1'-0"



ATTIC ACCESS HATCH
N.T.S.



WINDOW DETAIL
SCALE: 3/4"=1'-0"



CANOPY DETAIL
SCALE: 3/4"=1'-0"

THIS DESIGN	
PROJECT:	F
TITLE	DETAILS
DRAWN BY:	DBM
DATE:	1
SCALE:	AS SHOWN
A7	